

# LDH data sheet

## The hydraulic torque wrench 60 - 27.000 Nm

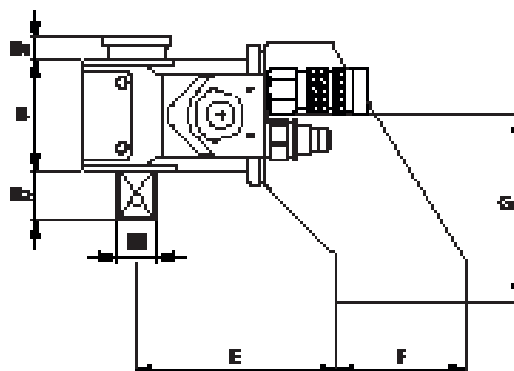
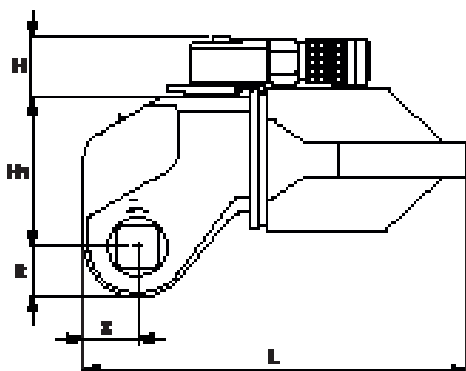


### Strong. Space-saving.

- » Small dimensions and compact design for confined spaces
- » An integrated pressure relief valve ensures a safer working environment
- » Generously sized oil channels in device, provide minimal heating under continuous load
- » Various inserts available as an accessory, for flexible working
- » Quick-change mechanism for fast reacting of the reaction arm

### Technical data

Type	Nm min <sup>1</sup> /max <sup>2</sup>	lbf·ft min <sup>1</sup> /max <sup>2</sup>	■	B mm	B <sub>1</sub> mm	B <sub>2</sub> mm	E mm <sup>3</sup>	F mm <sup>3</sup>	G mm	H mm	H <sub>1</sub> mm	L mm <sup>3</sup>	R mm	X mm	kg <sup>*4</sup>
LDH - 12V	60 - 1200	45 - 880	¾"	46	7	28	-/88	-/48	78	37	62	-/158	19	22	1.9
LDH - 24V	120 - 2350	90 - 1730	¾"	53	6	28	59/109	60/58	95	37	72	146/194	24	27	2.0
LDH - 48V	230 - 4800	170 - 3500	1"	68	14	32	70/125	89/80	115	37	92	193/239	31	34	3.9
LDH - 75V	400 - 7560	290 - 5570	1½"	76	12	44	74/134	94/93	122	37	107	207/266	36	39	6.2
LDH - 100V	500 - 10000	370 - 7300	1½"	84	13	39	85/150	105/99	130	37	115	233/292	39	43	7.8
LDH - 170V	800 - 16000	590 - 11800	1½"	100	11	45	93/163	118/108	150	50	135	265/325	48	54	11.8
LDH - 270V	1300 - 27000	960 - 19900	2½"	119	18	76	121/206	145/133	200	50	164	329/402	59	63	24.0



- \*1 Minimum torque at 40 bar
- \*2 Maximum torque at 800 bar
- \*3 Reaction arm type L(LM) / Reaction arm type S(LM)
- \*4 Without reaction arm

All rights reserved.  
Subject to modifications without prior notice.