

LPK / LPK-X data sheet

The pneumatic torque wrench 80 - 12,800 Nm

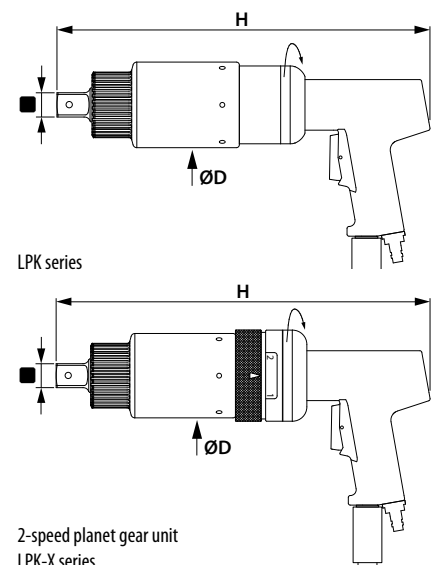


Quiet. Precise.

- » Works without vibrations and thereby it takes care of the users health, against the use of an impact wrench
- » Force is transmitted softly and accurately from just 1.5 bar operating pressure on the screw
- » LPK-X with 7 -fold speed fastening (overdrive)
- » Torque accuracy better than 3%

Technical data

Type	Nm min ^{*1} /max ^{*2}	lbf-ft min ^{*1} /max ^{*2}	~ U/min	■	Ø D mm	H mm	kg ^{*3}
LPK - 05	80 - 450	60 - 330	55	3/4"	80	295	3.0
LPK - 09	200 - 900	150 - 670	24	3/4"	80	328	3.2
LPK - 15	300 - 1500	220 - 1110	12	1"	88	343	4.7
LPK - 22	500 - 2200	370 - 1620	7	1"	88	360	5.1
LPK - 32	800 - 3200	590 - 2360	4	1"	88	383	5.8
LPK - 40	850 - 4200	620 - 3100	4	1"	88	383	5.8
LPK - 60	1200 - 6000	880 - 4400	4	1 1/2"	102	400	7.7
LPK - 70	1500 - 7000	1110 - 5160	3	1 1/2"	128	416	10.6
LPK - 95	2000 - 9500	1470 - 7000	2.5	1 1/2"	142	431	12.5
LPK - 120	2500 - 12800	1840 - 9440	1.5	1 1/2"	174.5	448	18.5
LPK - 05 X	80 - 450	60 - 330	300 ^{*4}	3/4"	80	301	3.0
LPK - 09 X	200 - 900	150 - 670	100 ^{*4}	3/4"	88	333	4.0
LPK - 22 X	500 - 2200	370 - 1620	30 ^{*4}	1"	88	367	5.5
LPK - 32 X	800 - 3200	590 - 2360	25 ^{*4}	1"	88	390	6.2
LPK - 40 X	850 - 4200	620 - 3100	20 ^{*4}	1"	88	390	7.0



2-speed planet gear unit
LPK-X series

^{*1}Lowest torque in 2nd gear at 1.5 bar

^{*2}Maximum torque in 1st gear at 8 bar

^{*3}Maximum speed in 2nd gear

^{*4}Without reaction arm
At 8 bar ca. 1,400 l/min.

All rights reserved.

Subject to modifications without prior notice.